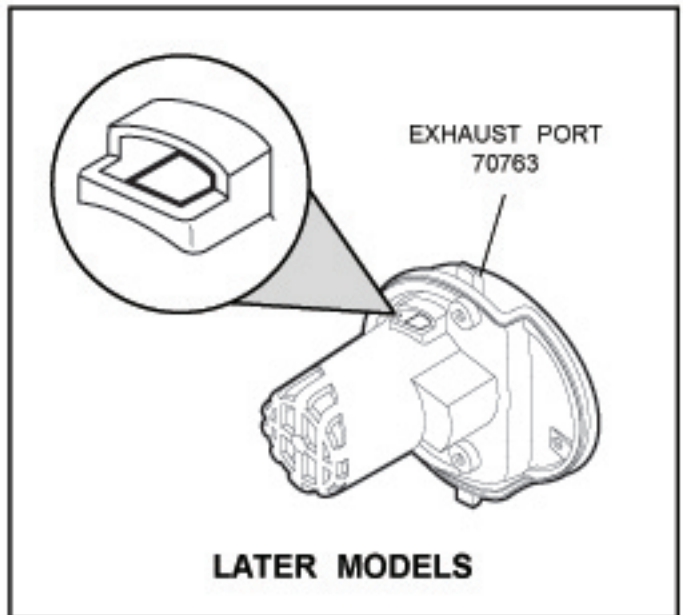
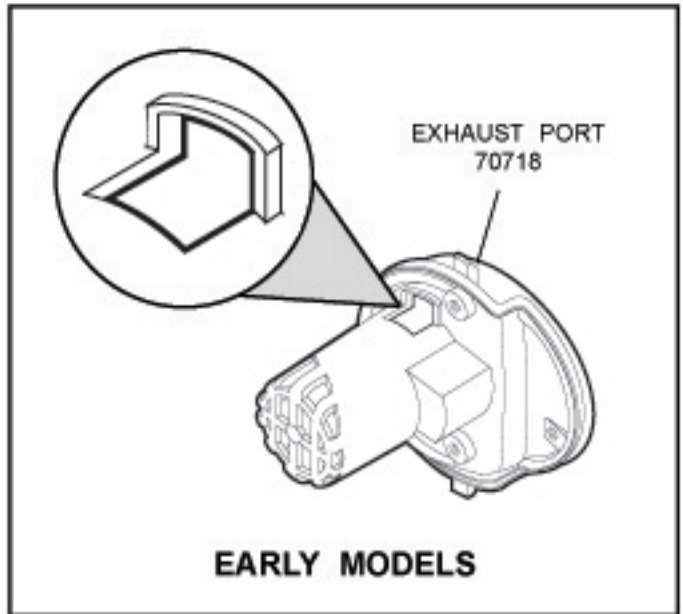


# EXL CANISTER

**IF EXHAUST PORT NEEDS REPLACING IT WILL BE NECESSARY TO IDENTIFY WHICH EXHAUST PORT IS INSTALLED IN CLEANER.**

SCREW 70239 (3) IS FOR EXHAUST PORT 70718.  
SCREW 70238 (3) IS FOR EXHAUST PORT 70763.



**NOTE:**

REPLACEMENT UPPER HOUSING 70224 WILL INCLUDE EXHAUST PORT 70763.